



STANDHEIZUNG
ENGINE-INDEPENDENT HEATING SYSTEM

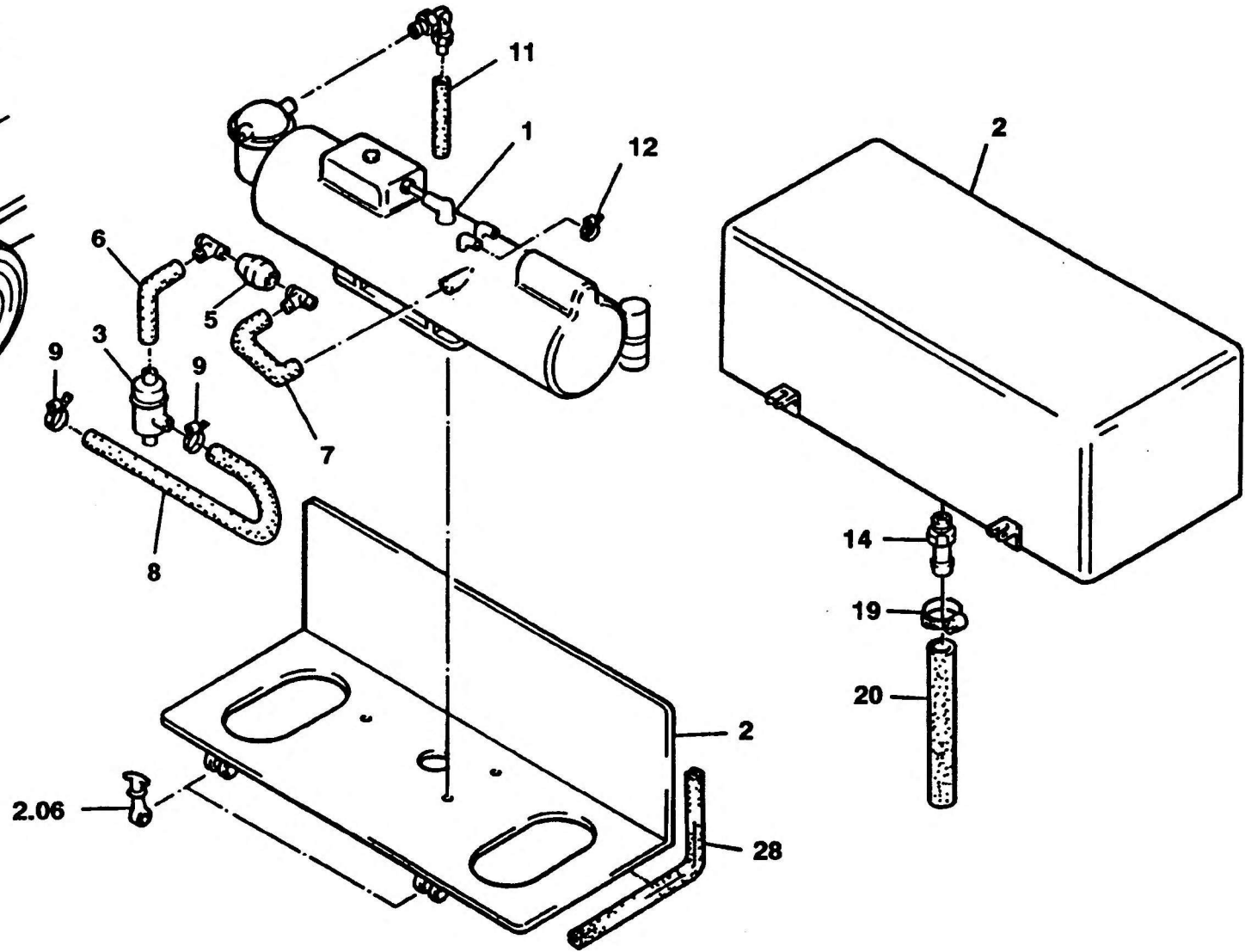
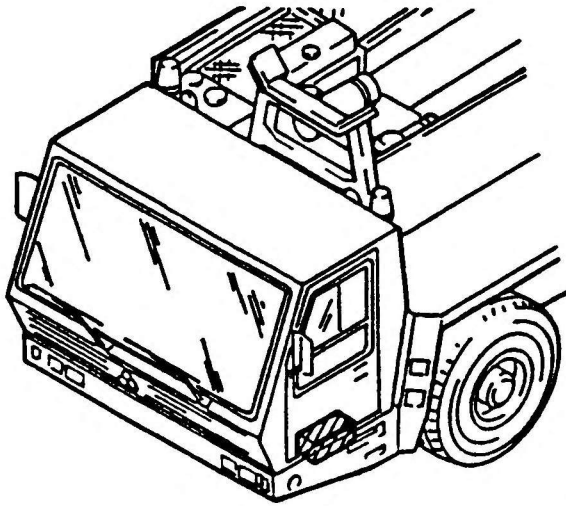
BILDTADEL
PICTORIAL DISPLAY

KMK 6200
BE 752
G 291

09.91

2086391-ETL A

1/1



2 085 708 de/en